

COMMUTER SCOOTER



OWNER'S MANUAL

WARNING:
THIS MANUAL CONTAINS IMPORTANT SAFETY, ASSEMBLY AND MAINTENANCE INFORMATION.
Keep this manual for future reference.
ASSEMBLY MUST BE COMPLETED BY AN ADULT. Obtain the required tools and then follow the assembly instructions in this manual. If you do not have the required tools, or have trouble understanding the instructions, we recommend that you seek assistance by an experienced bicycle mechanic.
FAILURE TO FOLLOW THESE INSTRUCTIONS MAY CAUSE SERIOUS INJURY.

1

NOTES

Before each use, check that your scooter is correctly assembled: there must be a "click" at each moment of engagement in the vertical locking position of the steering column, and rapid tightening of the steering column and of the folding mechanism. The brake may become hot during use. Do not touch it after use.

SAFETY INFORMATION

WARNING:

- Protective equipment should be worn such as a helmet, gloves, knee-pads and elbow-pads.
- Always wear fully enclosed shoes.
- Do not use scooter at night.
- Do not use on wet surfaces, uneven or unpaved road.
- It is not recommended the scooter be used on steep slopes at high speed.
- Avoid sharp bumps, drainage grates and sudden surface changes.
- This scooter is not designed for off-road use or stunting.
- This scooter is not designed for acrobatic use. Do not jump over obstacles.
- Never ride with more than one person on the scooter.
- Always follow local traffic laws.
- Always check the brakes before riding.
- Adult assembly required.
- Brake will get hot from continuous use, do not touch after braking.
- Read all information supplied by the manufacturer before riding.
- Recommended for children age 6 and up.
- The maximum weight of user is 100kg, Class A.

FAILURE TO FOLLOW THESE INSTRUCTIONS MAY CAUSE SERIOUS INJURY

- Check and secure all fasteners before every ride.
- Ensure the clamp is locked correctly into position before every ride.
- **Wheel and Bearings:** Periodically check wheels and bearings for wear and tear and correct axle tightness.
- Replace worn and broken parts immediately.

Thank you for your purchase of this product. If any parts are missing or damaged, please contact one of our Customer Service Representatives by phone on **1800-632-792 (Australia) 0800-623-792 (New Zealand)** via email at spares@hunterleisure.com.au
Hyper Extension Pty, Ltd.
100 Keilor Park Drive Tullamarine, 3043, Victoria, Australia

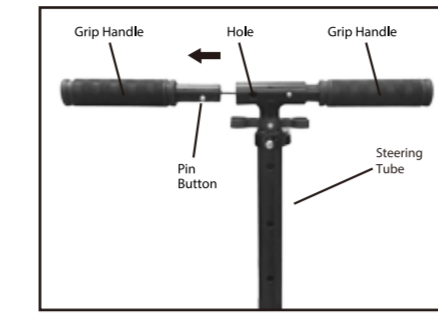
DO NOT RETURN THIS PRODUCT TO THE STORE!

2

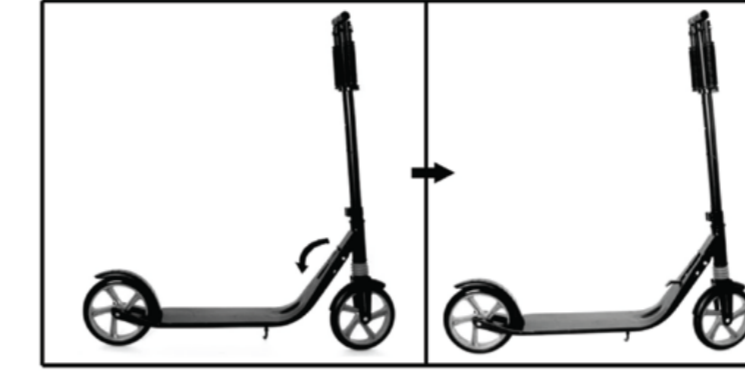
FOLDING INSTRUCTIONS

PLEASE PROCEED STEPS AS FOLLOWS TO FOLD THE SCOOTER.

Step 1: Fold the handlebar by pressing the Pin Button to pull out the Grip Handles, then snap them into the plastic grip handle bracket.



Step 2: Open the Safety Lock.



Step 3: Press the Quick Release Button.



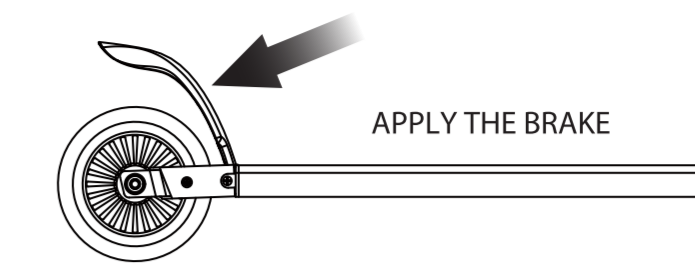
Step 4: Fold the scooter by bringing the stem towards the deck until the Quick Release Button 'clicks' into place.



5

RIDING YOUR SCOOTER

1. Place one foot on the footboard of the scooter and use your other foot to propel the scooter.
2. To stop the scooter, apply the brake by stepping on the rear brake. We recommend that you practice applying the brake at various speeds and in an open area free from obstructions.



MAINTENANCE

- Avoid going through water, oil or sand as this can damage wheel bearings.
- Regularly check that the various screwed parts are tight, particularly the wheels axles, the fold axis, the brake shaft, and the suspension because the self-tightening screws or other attachments may lose their effectiveness.
- Do not modify or transform the scooter, specially the steering column and socket, the stem, the folding mechanism and the back brake.

6

PARTS DIAGRAM



3

ASSEMBLY INSTRUCTIONS

No tools are required to assemble the product. The scooter is delivered in its transportation form (folded).

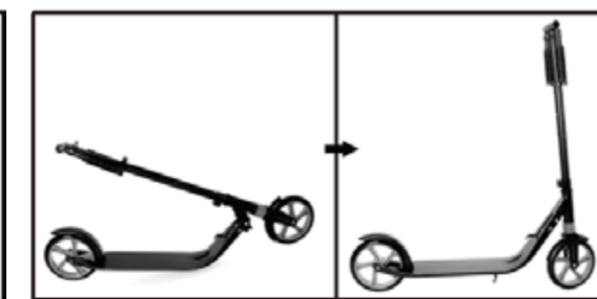


PLEASE PROCEED THE FOLLOWING STEPS TO GET THE SCOOTER READY.

Step 1: Press the Quick Release Button.

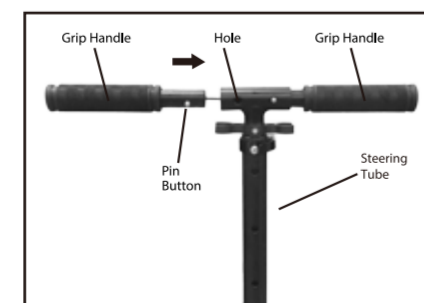


Step 2: Lift the stem so it is upright. It will lock into place when you hear a click.



Step 3: Close the Safety Lock.

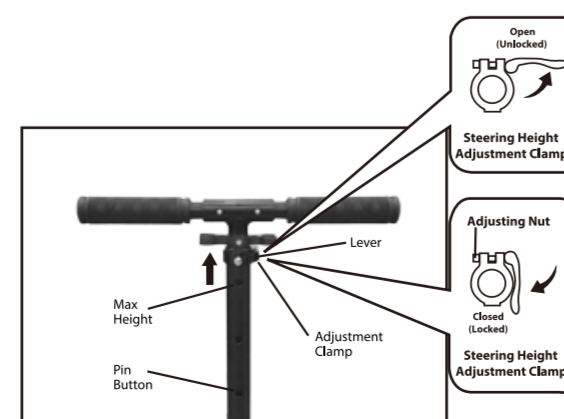
Important: Always check all parts before use to ensure they are secure, particularly the folding mechanism, the handbar lock and the wheels.



Step 4: Handles Assembly.

- a. Position the Handlebar so that the Button is aligned with the hole in the top section of the Steering Tube.
- b. Hold the Button in and push the Grip Handle into position in the steering tube until the button "clicks" into the hole in the steering tube.

WARNING: FAILURE TO PROPERLY LOCK THE HANDLEBARS INTO POSITION CAN RESULT IN IMPROPER HANDLEBAR MOVEMENT AND LOSS OF STEERING CONTROL.



Step 5: Handlebar height adjustment

- a. Open the adjustable clamp.
- b. Extend the handlebar to the desired height. Can adjustable 3 size. DO NOT exceed the Max height.
- c. Push the lever to the closed (locked) position.

WARNING: FAILURE TO PROPERLY TIGHTEN THE STEERING HEIGHT ADJUSTMENT CLAMP CAN RESULT IN IMPROPER HANDLEBAR MOVEMENT AND LOSS OF STEERING CONTROL.

4