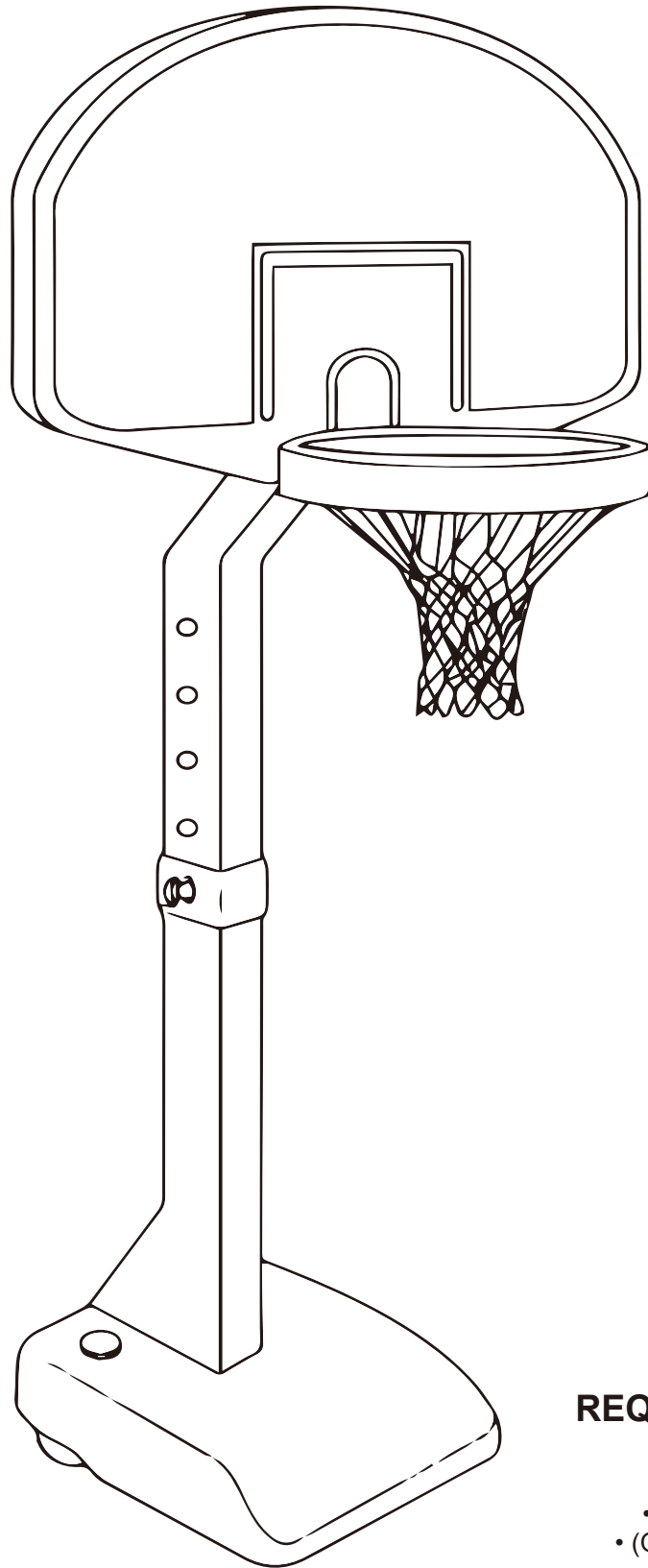


GAME ON ADJUSTABLE BASKETBALL SET!

ASSEMBLY BY ADULT! YOUTH PORTABLE BACKBOARD AND RIM!



REQUIRED TOOLS AND MATERIALS:

- Water or Sand (18 kg)
- (Optional)(One) Paper Clip

Thank you for your purchase this product. If any parts are missing or damaged, please contact one of our Customer Service Representatives by phone on **1800-632-792 (Australia)** **0800-623-792 (New Zealand)** via mail at **spares@hunterleisure.com.au** visit **www.momentumservicesco.com**

! SAFETY INSTRUCTIONS !

WARNING

FAILURE TO FOLLOW THESE SAFETY INSTRUCTIONS MAY RESULT IN SERIOUS INJURY, PROPERTY DAMAGE AND WILL VOID WARRANTY.

Owner must ensure that all players know and follow these rules for safe operation of the unit.

To ensure safety, do not attempt to assemble this system without following the instructions carefully. Check entire box and inside all packing material for parts. Before beginning assembly, read instructions and identify parts in this document. Proper and complete assembly, use and supervision is essential for proper operation and to reduce the risk of accident or injury. A high probability of serious injury exists if this system is not installed, maintained, and operated properly.

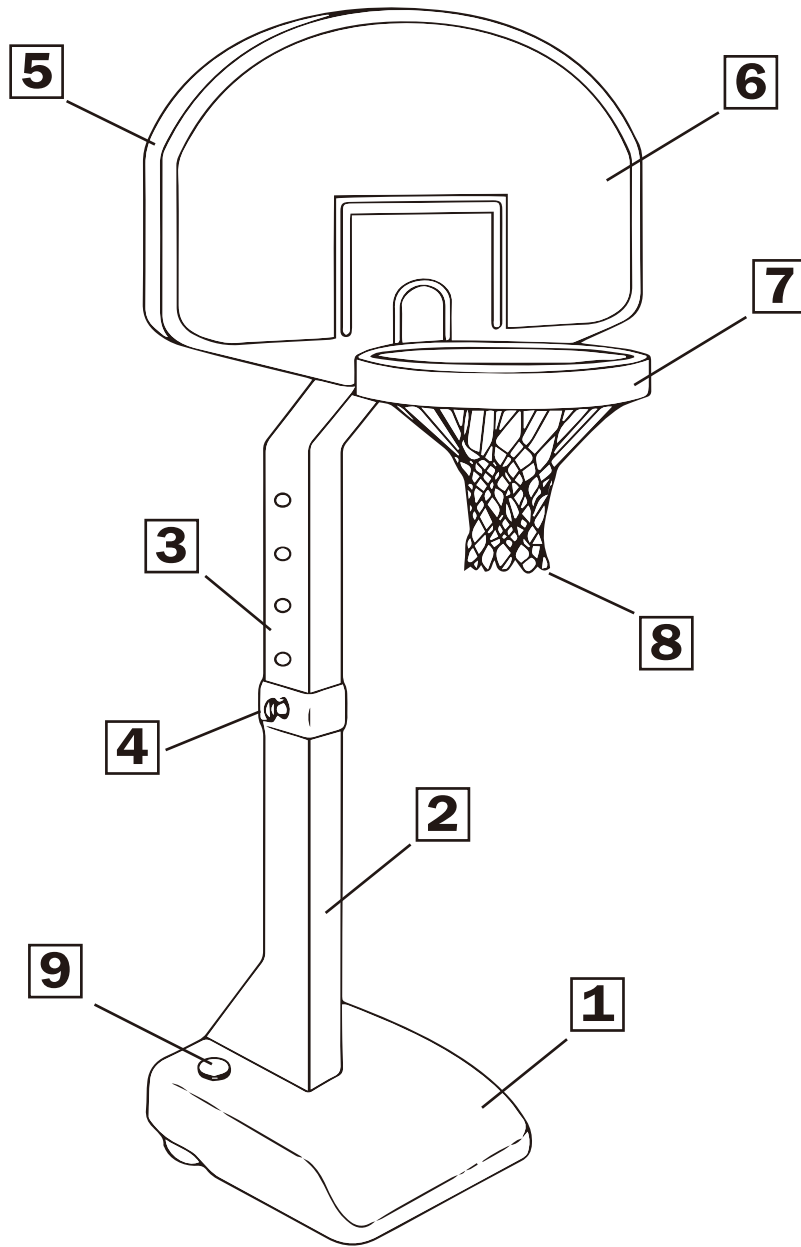
- This equipment is intended for home recreational use only and NOT excessive competitive play.
- Read and understand the warning label affixed to pole. Label is shown on the bottom of this page.
- The life of your basketball pole depends on many conditions. The climate, placement of the pole, the location of the pole, exposure to pesticides, herbicides or salts are all important.
- Seat the pole sections properly. Failure to do so could allow the pole sections to separate during play and/or transport of the system.
- Excessive use or misuse could result in pole failure.
- Check base regularly for leakage. Slow leaks could cause unit to tip over unexpectedly.
- This unit is NOT designed to be fixed onto brickwork.
- Only an adult can adjust height.
- Consult a structural engineer if there is any doubt about the safety or stability once the unit has been assembled.
- If technical assistance is required, contact Customer Service.
- Adult supervision is recommended when adjusting height.

Most injuries are caused by misuse and/or not following instructions. Use caution when using this unit.

WARNING

FAILURE TO FOLLOW THESE WARNINGS MAY RESULT IN SERIOUS INJURY OR DAMAGE TO PROPERTY. ENSURE ALL PLAYERS FOLLOW THESE RULES FOR SAFE OPERATION OF THE SYSTEM.

- DO NOT HANG on the rim or any part of the system including backboard, support braces or net.
- After assembly is complete, fill system completely with water or sand. Never leave system in an upright position without filling base with weight, as system may tip over causing injuries.
- When adjusting height or moving system, keep hands and fingers away from moving parts.
- Do not allow children to move or adjust system.
- Do not slide, climb, skate or play on base and/or pole.
- During play, do not wear jewelry (rings, watches, necklaces, etc.). Objects may entangle in net.
- Surface beneath the base must be smooth and free of gravel or other sharp objects. Punctures cause leakage and could cause system to tip over.
- Check system before each use for proper balance, loose hardware, excessive wear and repair before use.
- Check system before each use for instability.
- Do not use system during windy and/or severe weather conditions; system may tip over.
- Do not allow anyone to stand or sit on base or have added ballasting on base.
- Never play on damaged equipment.
- Use caution when moving system as it may tip over.
- See instruction manual for proper installation and maintenance.



PARTS LIST

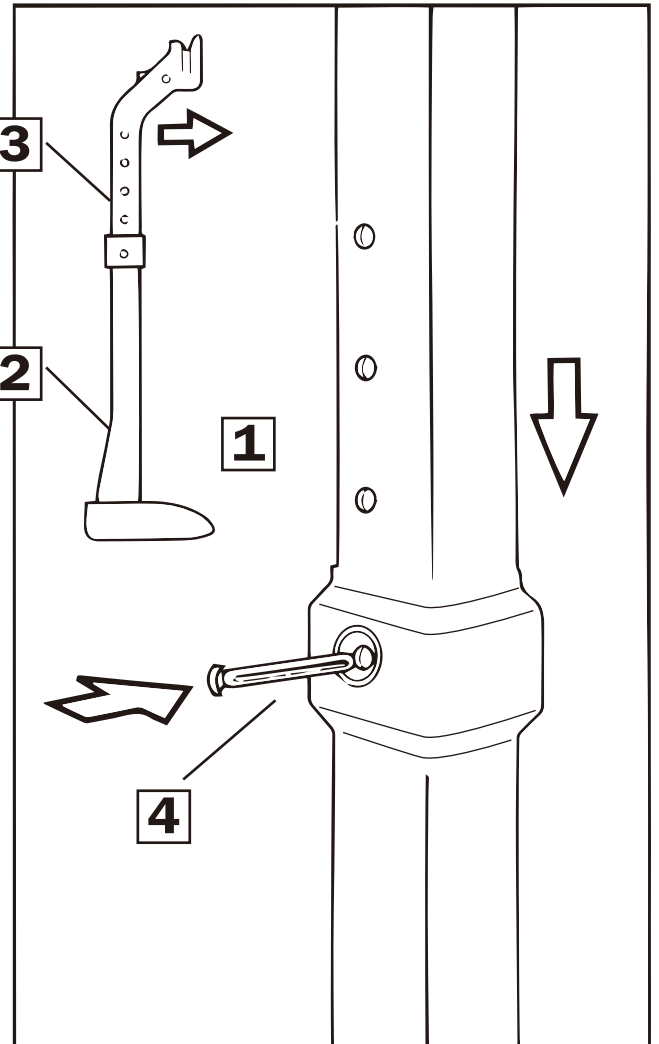
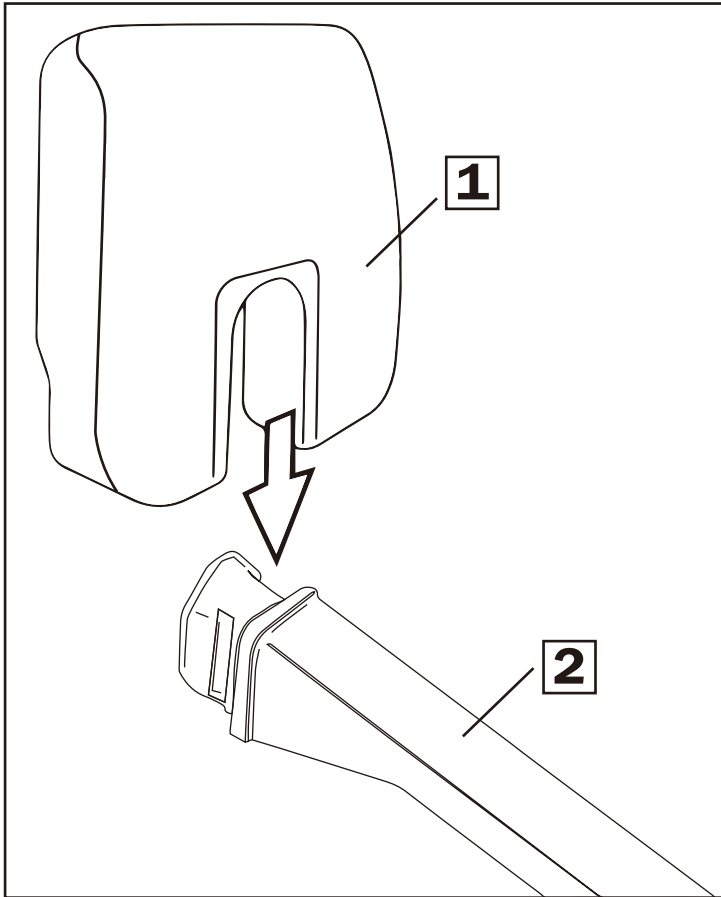
Item	Qty.	Description
1	1	Base
2	1	Lower Pole Section
3	1	Upper Pole Section
4	1	Locking Pin
5	1	Backboard
6	1	Labels
7	1	Rim
8	1	Net
9	1	Fill Plug



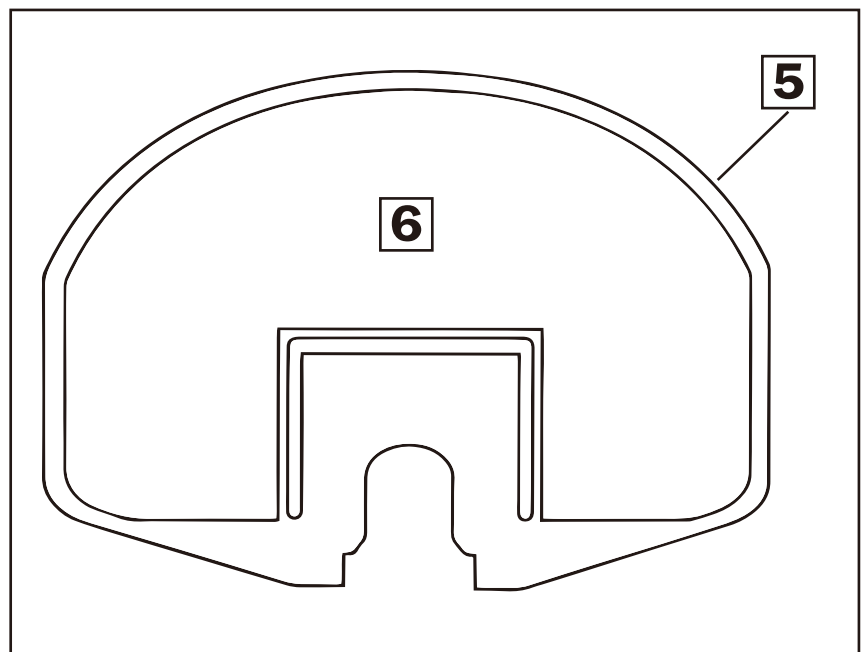
Slide lower pole (2) into grooves in base (1) as shown. Lock in place by applying pressure directly on lower pole area. **NOTE: Pole must be flush with base.** Upright unit. Place axle through wheel and spacer, press firmly into grooves under the base.



Insert upper pole (3) into lower pole (2). **NOTE: Angled end faces towards front base.** Align holes at desired height and secure into position with locking pin (4).

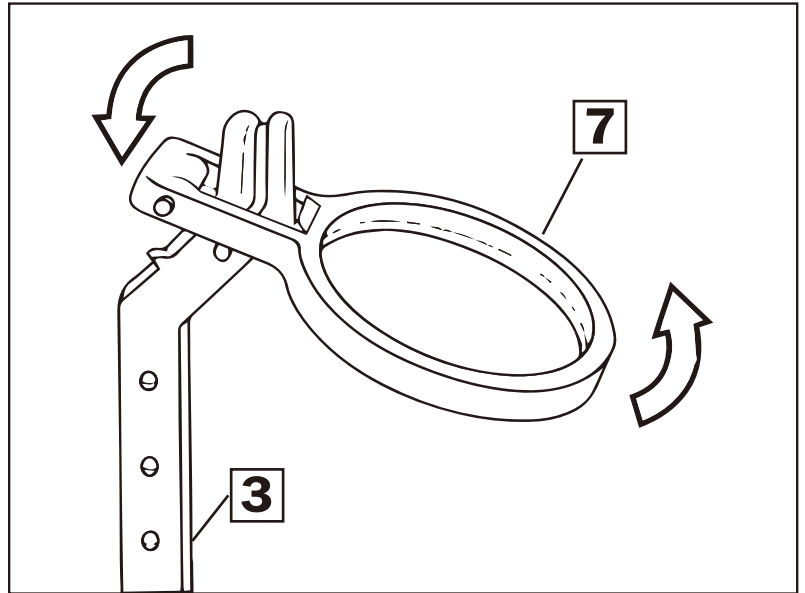


Attach labels (6) onto backboard (5) as shown on carton label. **NOTE: Make sure they are in the correct position before pressing down.**

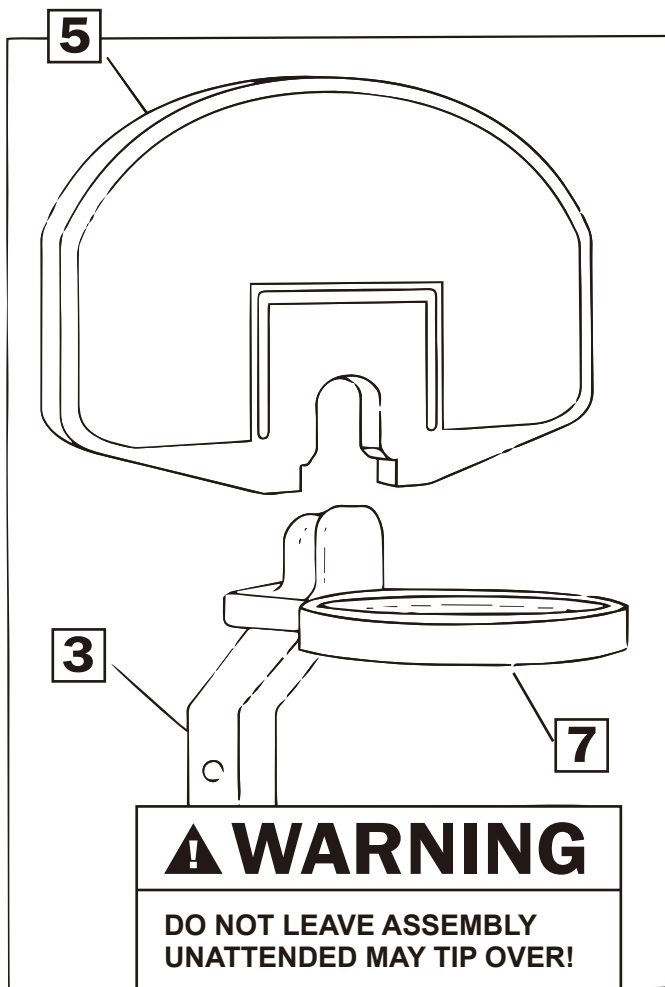




Align rim (7) over upper pole (3).
NOTE: Make sure wedge stop is in the up (TOP) position. Press down on the rear of rim at the same time lift up on the front of rim. Apply pressure to lock rim onto upper tube as shown.

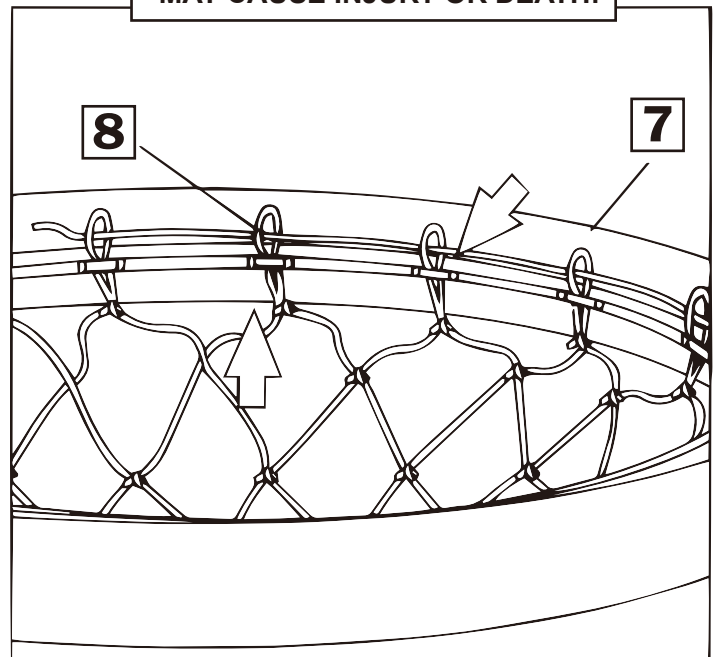


Align backboard (5) over upper pole (3) and firmly add pressure to lock into position.



Install net (8) to rim (7) as shown. Push loop through hole from the underside. Thread string through all net loops & tie knot to secure net in place. **NOTE: A paper clip works well to help thread net through hole.**

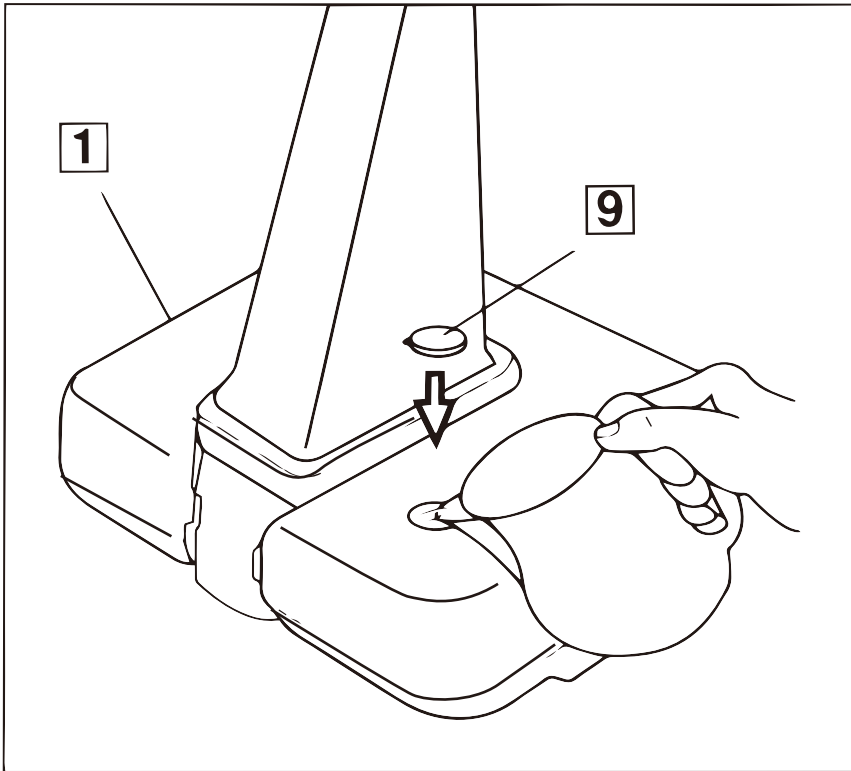
⚠ WARNING
 DO NOT HANG FROM RIM.
 MAY CAUSE INJURY OR DEATH!





Fill base (1) with sand or water. Insert the fill cap (9).

NOTE: When filled with sand, unit weighs approx. 27 kg, with water approx. 18 kg.



⚠ WARNING

KEEP HEIGHT AT LOWEST POSITION WHEN NOT IN USE, MAY TIP OVER!

⚠ WARNING

WHEN WATER IS USED, DRAIN WHEN TEMPERATURES ARE EXPECTED TO FALL BELOW FREEZING, AS THIS MAY CRACK BASE!